



TCC series Remote controls with flexible cables

- Up to 10 sections
- Low actioning efforts
- Detents, safety lever, several types of knob available
- TCC5 recommended for SD4, SD5, SD6, SDM080 and DF5 valves;
TCC10 recommended for other valves

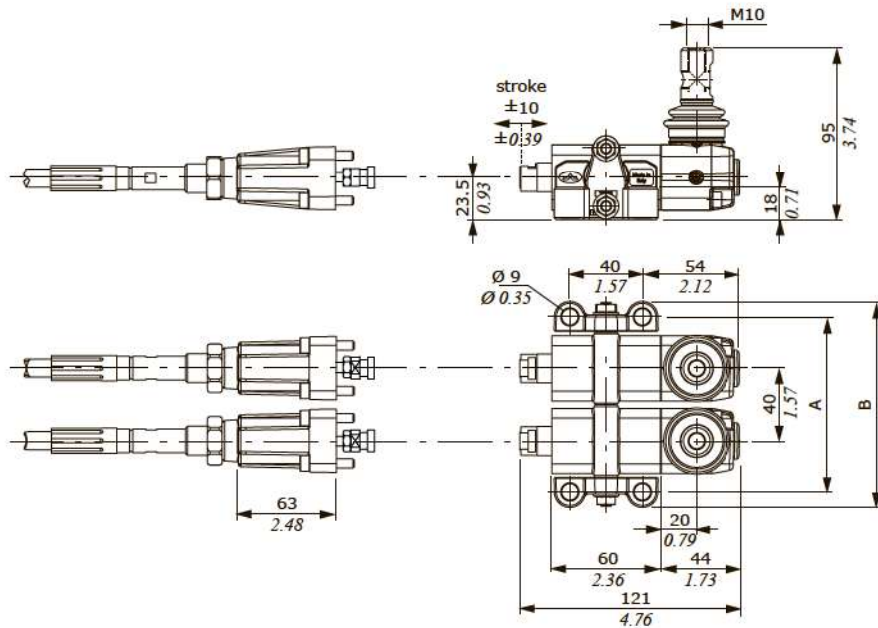
Working conditions

Max. load: in traction	1450 N - 340 lbf
in compression	880 N - 200 lbf
Minimum recommended bend radius	R = 150 mm - 5.9 in
Working temperature	from -40 to 80 °C - from -40°F to 176°F
Maximum recommended length	4000 mm - 157.48 in

NOTE: the features are referred to remote controls with flexible cables

TCC5 remote control

Dimensions



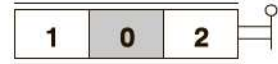
M type

Spring return in neutral position

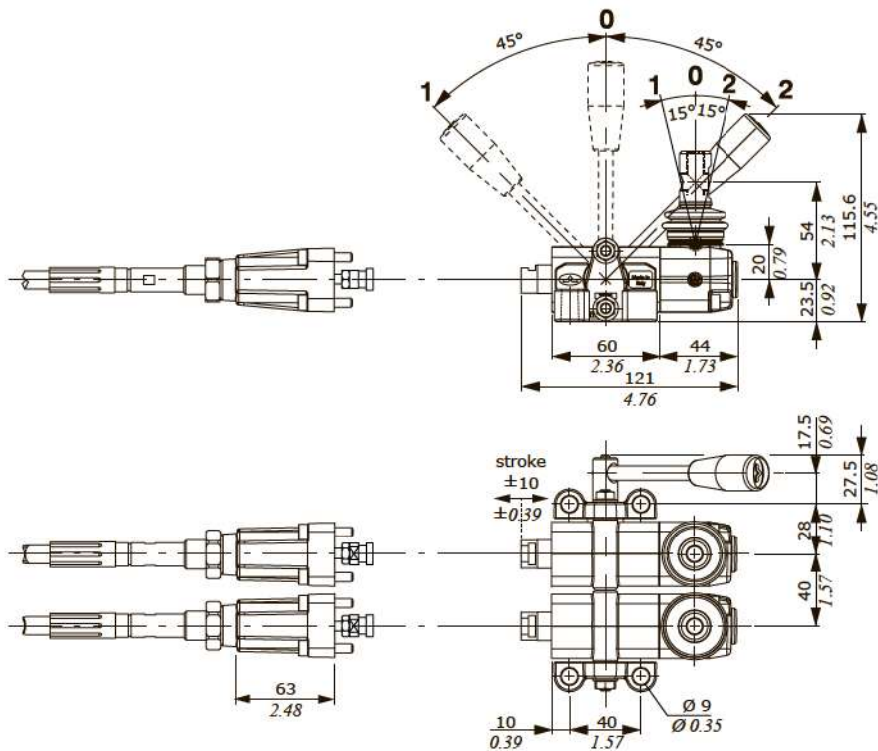


T type

Without spring return for detented controls on directional valve and control without neutral position

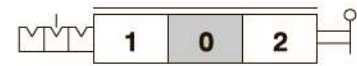


U type with movement selector



U type

With 3 detented positions (to be used only as first or last sections)



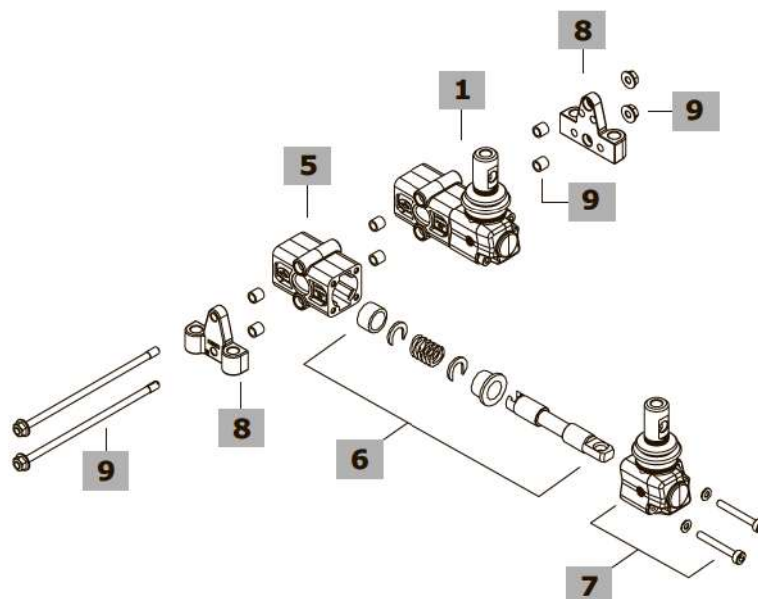
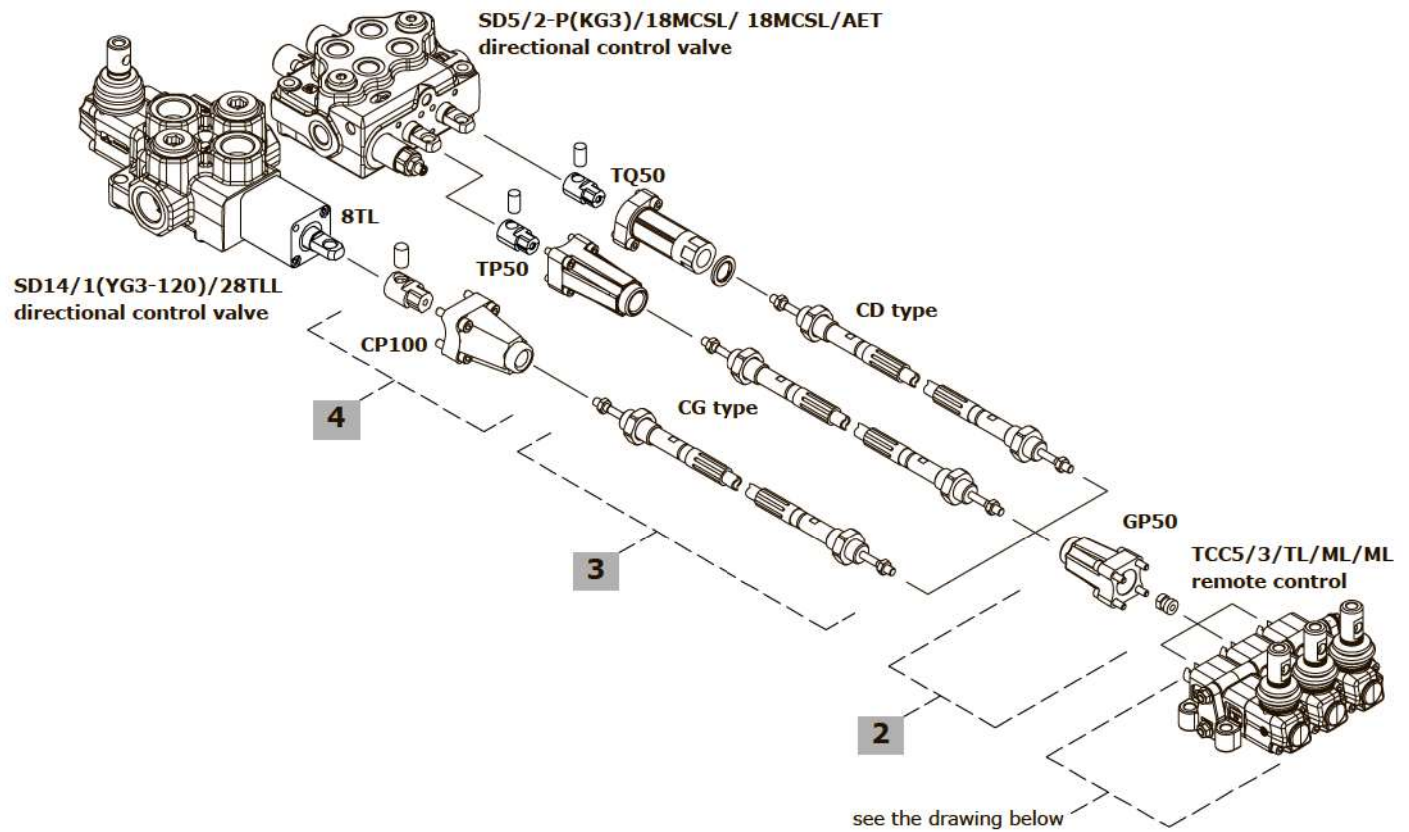
TYPE	TCC5/1		TCC5/2		TCC5/3		TCC5/4		TCC5/5		TCC5/6		TCC5/7	
	mm	in	mm	in	mm	in	mm	in	mm	in	mm	in	mm	in
A	56	2.20	96	3.78	136	5.35	176	6.93	216	8.50	256	10.08	296	11.65
B	73	2.87	113	4.45	153	6.02	193	7.6	233	9.17	273	10.74	313	12.32

Connecting example

Description example

1 1 1 2 3 3 4 4 4

TCC5/3/ TL / ML / ML + GP50X3 + CG2000X2 + CD2000 + CP100 + TP50 + TQ50 + SD14/1(YG3-120)/28TLL + SD5/2-P(KG3-120)/18MCSL/18MCSL/AET



1 Complete section

TYPE	CODE	DESCRIPTION
TCC 5 remote control		
ML	6TEL005100	Complete section with M10 standard lever and spring return
TL	6TEL005200	Complete section with M10 standard lever without spring return
UL	6TEL005211	Complete section with M10 standard lever and movement selector without spring return

TCC 10 remote control

ML	6TEL010100	Complete section with M10 standard lever and spring return
TL	6TEL010200	Complete section with M10 standard lever without spring return

2 Control connection kit

TYPE	CODE	DESCRIPTION
GP50	5TEL005005	Type for TCC5
GPWP50	5TEL005006	Type for TCC5 waterproof
GP100	5TEL010005	Type for TCC10
GPWP100	5TEL010010	Type for TCC10 waterproof

3 Flexible cables

TYPE	CODE	DESCRIPTION
CD type with one fixing end and one turning end		
CD1000	4CAV601000	Length 1000 mm - 39.37 in
CD1250	4CAV601250	Length 1250 mm - 49.20 in

For different cables see page 18

CG Type with both turning ends

CG1000	4CAV701000	Length 1000 mm - 39.37 in
CG1250	4CAV701250	Length 1250 mm - 49.20 in

For different cables see page 18

4 Valve connection kit

See page 18

5 Body kit

TYPE	CODE	DESCRIPTION
TCC 5 remote control		
LCB	5COR111010	LCB mechanical joystick
T-M	3COR111000	For complete section with and without spring return
U	3COR111002	As previous with movement selector
TCC 10 remote control		
T-M	3COR121800	For complete section with and without spring

6 Positioning controls

TYPE	CODE	DESCRIPTION
TCC 5 remote control		
M	5GIU316990	Kit with spring return
T	5GIU316992	Kit without spring return
U/ULEB	5GIU316993	Kit for movement selector
TCC 10 remote control		
M	5GIU320990	Kit with spring return
T	5GIU320991	Kit without spring return

7 Actioning controls

TYPE	CODE	DESCRIPTION
TCC 5 remote control		
L	5LEV205010	M10 standard lever
L/RC5	5LEV105010	M8 lever
LF1	5LEV205012	M10 lever with stroke adjustment
LSG	5LEV205025	M10 waterproof lever
LEB	5LEV605050	M8 safety lever with lock in neutral
SLP	5COP105010	without lever with dust cover plate
LCB	5CLO205105	Joystick for 2 sections
TCC 10 remote control		
L	5LEV110015	M10 standard lever
SLP	5COP110010	without lever with dust cover plate
LCB11	5CLO211100	Joystick for 2 sections
LSG	5LEV110015S	M10 waterproof lever

8 Fixing brackets

CODE	DESCRIPTION
TCC 5 remote control	
5STA346057	Standard support
5STA346058	Selector support
TCC 10 remote control	
5STA354065	Standard support

9 Tie rod kits

CODE	DESCRIPTION
TCC 5 remote control	
5TIR106073	TCC5/1 tie rod kit
5TIR106113	TCC5/2 tie rod kit
5TIR106153	TCC5/3 tie rod kit
5TIR106193	TCC5/4 tie rod kit
5TIR106233	TCC5/5 tie rod kit
5TIR106273	TCC5/6 tie rod kit
5TIR106313	TCC5/7 tie rod kit
5TIR106353	TCC5/8 tie rod kit
5TIR106393	TCC5/9 tie rod kit
5TIR106433	TCC5/10 tie rod kit
TCC 10 remote control	
5TIR106078	TCC10/1 tie rod kit
5TIR106123	TCC10/2 tie rod kit
5TIR106168	TCC10/3 tie rod kit
5TIR106213	TCC10/4 tie rod kit
5TIR106258	TCC10/5 tie rod kit
5TIR106303	TCC10/6 tie rod kit
5TIR106348	TCC10/7 tie rod kit
5TIR106394	TCC10/8 tie rod kit
5TIR106438	TCC10/9 tie rod kit
5TIR106483	TCC10/10 tie rod kit